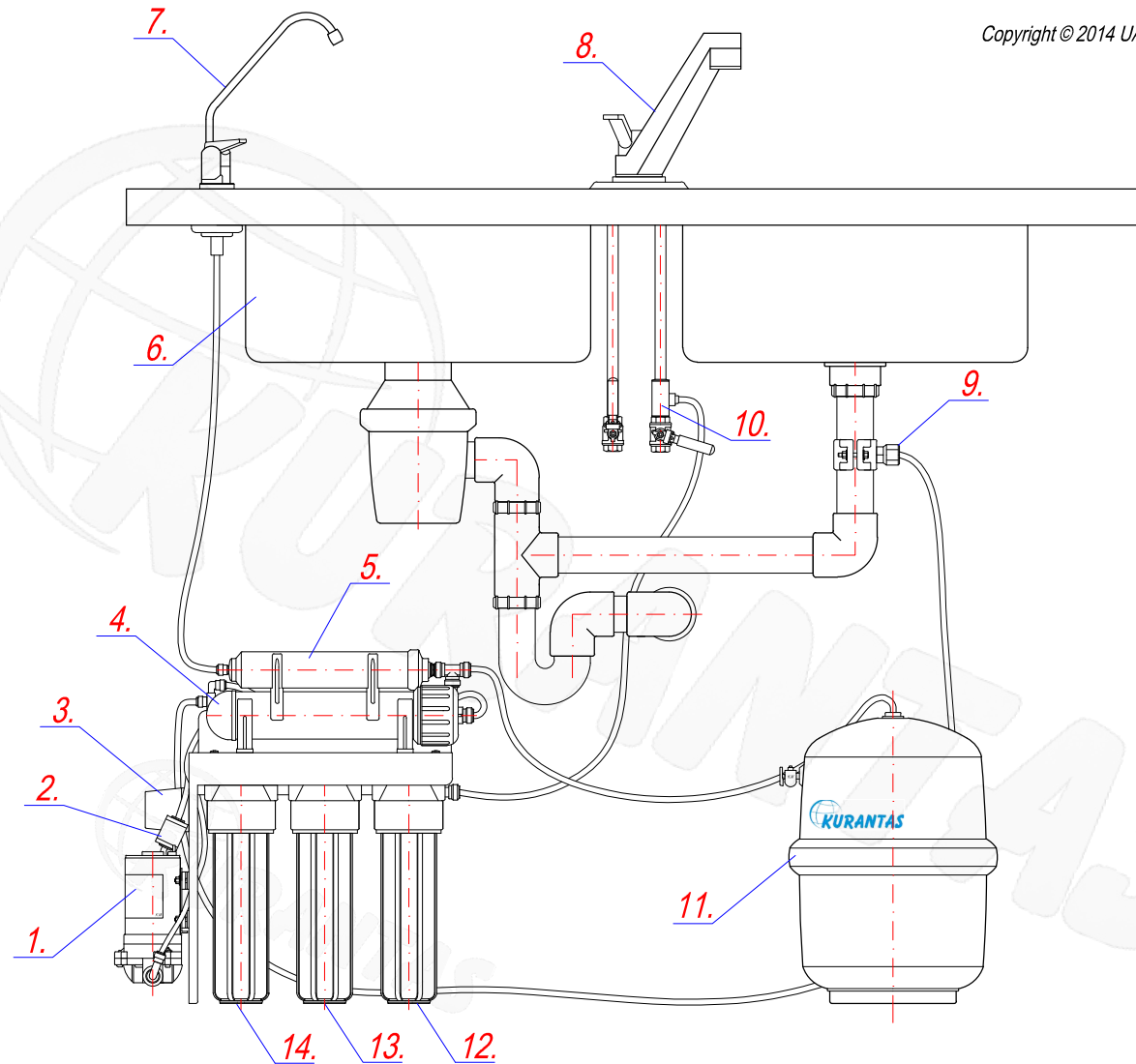


No.	EQUIPMENT :
1.	RO BOOSTER PUMP
2.	FLOW RESTRICTOR
3.	TRANSFORMER
4.	RO MEMBRANE
5.	CARBON FILTER
6.	SINK
7.	RO FAUCET
8.	FAUCET
9.	DRAIN CONNECTOR
10.	COLD WATER FEED SUPPLY
11.	STORAGE TANK
12.	PRE SEDIMENT FILTER
13.	PRE CARBON FILTER
14.	PRE CARBON FILTER



	Project : RO HOUSEHOLD SYSTEM		Drawing No 1.	Water treatment
	Drawn by:	K. Mailaitė	2014-11-05	RO household system
	Approved by:	M. Baltušnikas	2014-11-05	
	Client :	A 4		1:10
				Sheet
				1/1